

DAWSON

WAM



STEEL MAT HIRE

TECHNICAL INFORMATION

DAWSON

WAM

TECHNICAL INFORMATION

DAWSON-WAM carry in stock over 120 heavy duty steel access mats.

The mats are 6.5m long by 2.44m wide and 0.31m deep and weigh approximately 5t. They are capable of withstanding the heaviest of loads on any surface and carrying construction traffic such as rubber tyred or tracked excavators, cranes and piling rigs. These mats enable the load of the construction traffic to be distributed over a much larger area.



Registered Office

The Moors, Westoning Road,
Greenfield, Beds, MK45 5BJ

T: 01525 715522

Head Office

Lisdoonan, Belfast Road,
Saintfield, Co. Down BT24 7EP

T: 02890 813105

mats@dawsonwam.co.uk

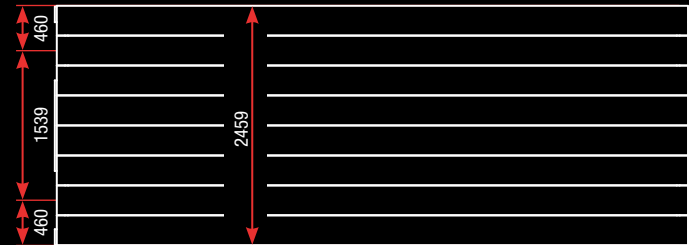
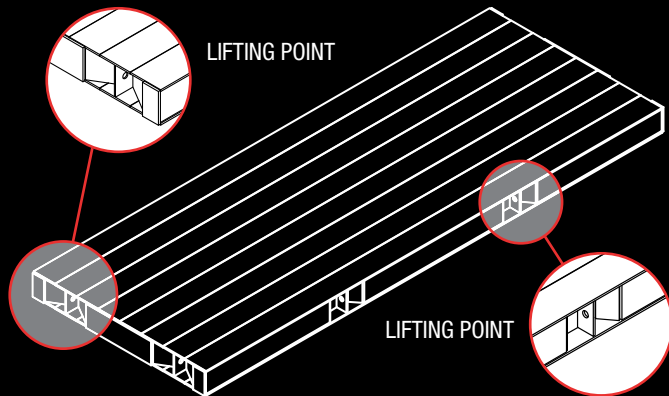
www.steelmathire.co.uk

DIMENSIONS

DAWSON

WAM

Mats are made from 8nr. 305x305x97UC S355 6.5m long fully welded along the flange.
Mats are enclosed with 20mm plate all around.



LIFTING THE MATS

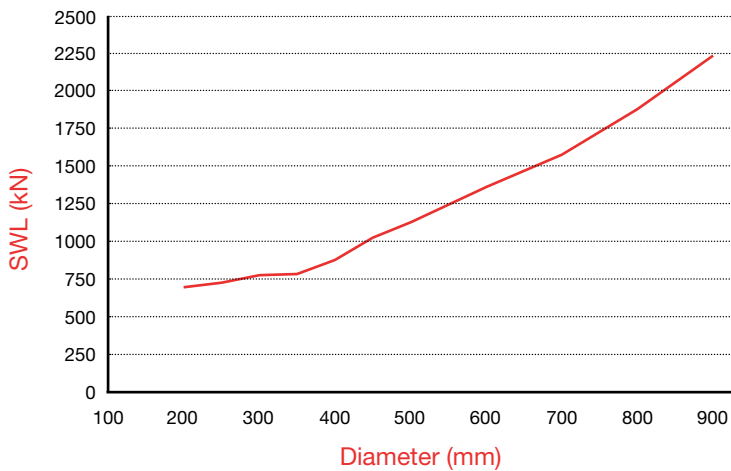
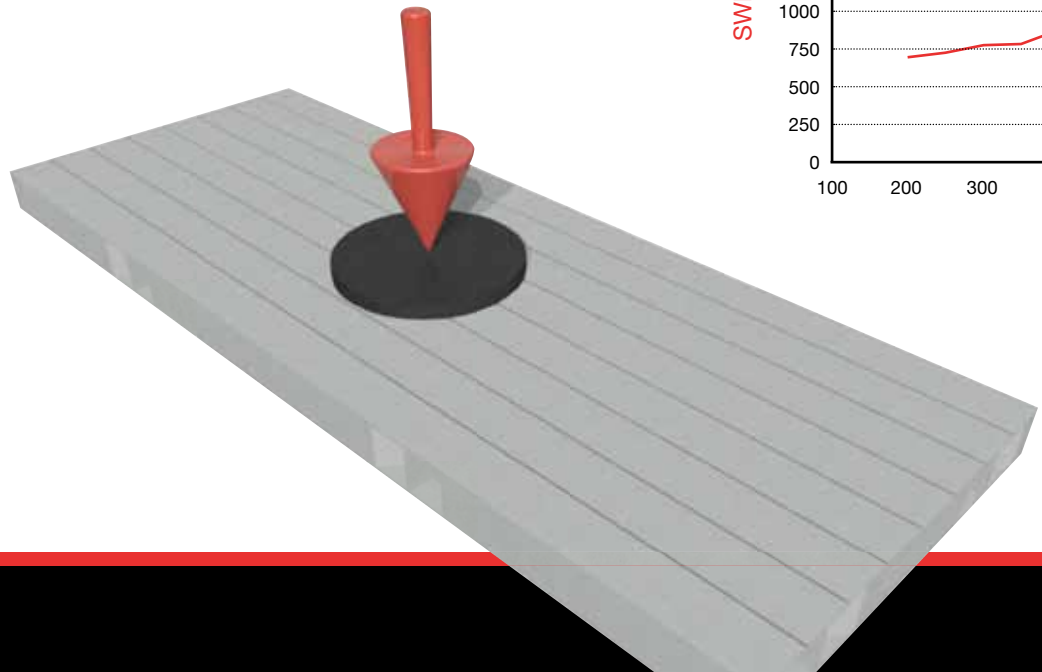
Mats are provided with dedicated lifting points, two on each side, and specialist lifting equipment is supplied to allow safe lifting.



TECHNICAL INFORMATION

MAT CAPACITY

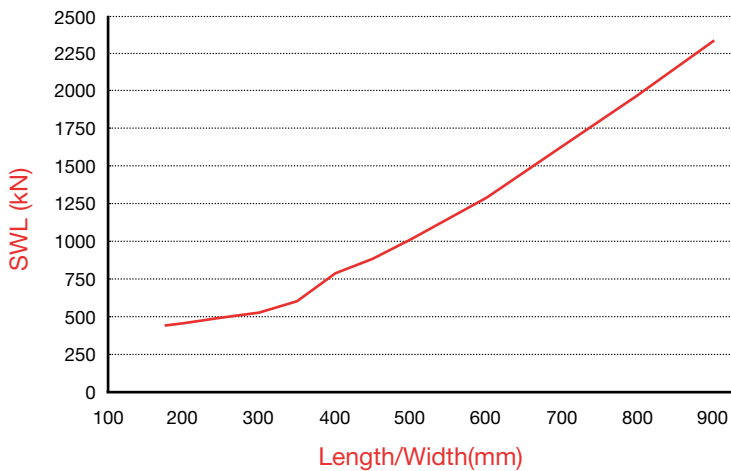
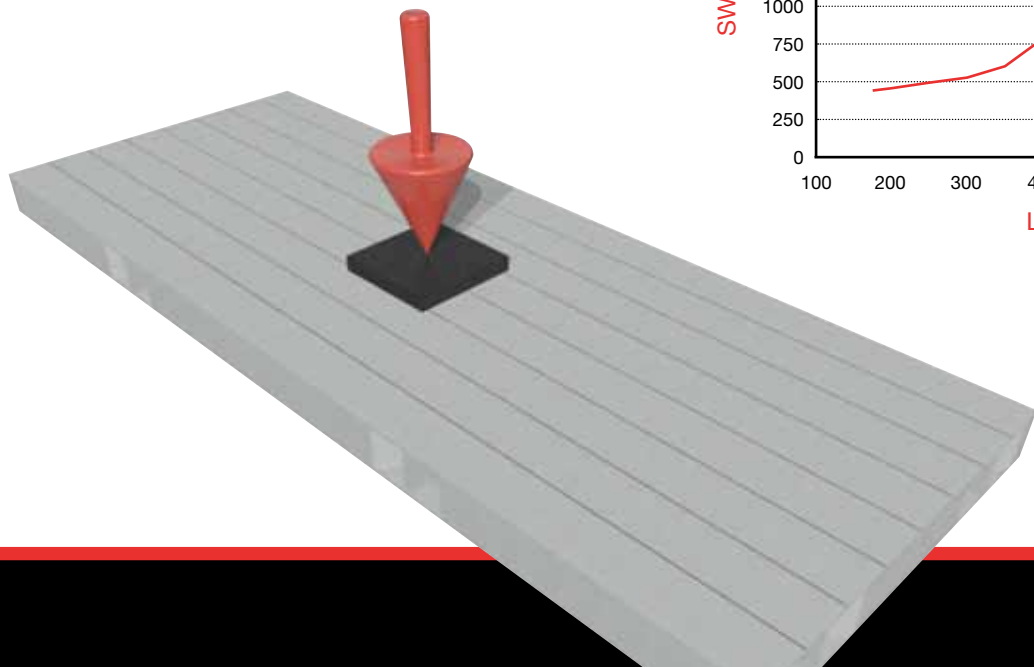
under circular point load.





TECHNICAL INFORMATION

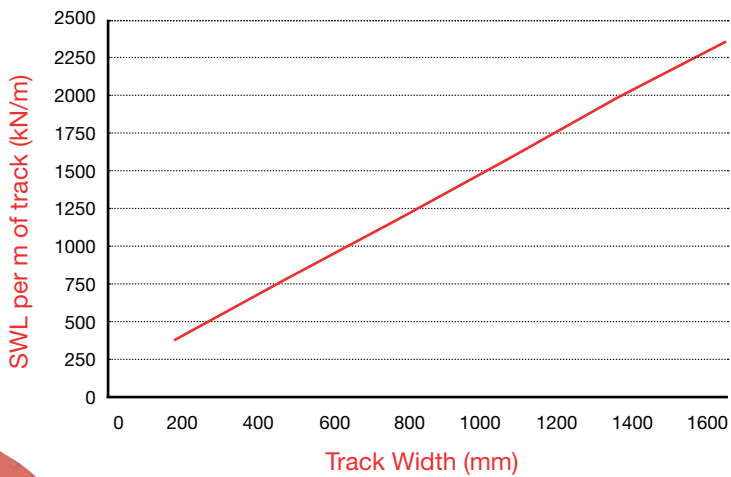
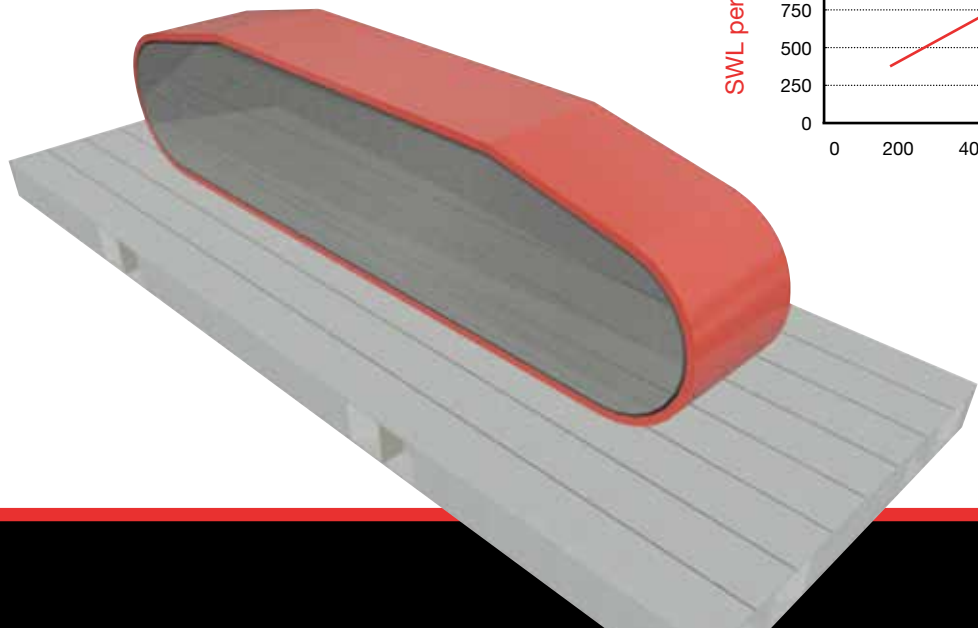
MAT CAPACITY
under square point load.





TECHNICAL INFORMATION

MAT CAPACITY
under track loading.





TECHNICAL INFORMATION

MAT CAPACITY

under UDL when used as a bridge.

